

# ImpactSubsea

Innovative Underwater Products

## ISD4000 – Depth & Temperature Sensor



Impact Subsea is proud to present the ground breaking **ISD4000**. A highly robust Depth and Temperature sensor with optional integrated HMRU.

Compact, lightweight and highly robust, the **ISD4000** is ideal for ROV, AUV and other underwater depth and temperature measurement applications.

The **ISD4000** utilises the latest in depth sensing technology to provide a depth accuracy of  $\pm 0.01\%$  FS. Temperature is accurate to  $0.01^{\circ}\text{C}$ .

With an optional integrated HMRU, the **ISD4000** provides a clear understanding of the position of the sensor at all times – ideal for asset deployment monitoring.

The **ISD4000** is provided in a highly robust titanium housing.

### Features

$\pm 0.01\%$  FS Depth

$0.01^{\circ}\text{C}$  Accuracy

Heading\*

MRU\*

Maintenance Free

Titanium Housing

### Benefits

Survey grade depth sensor

Survey grade temperature sensor

Provides heading to  $\pm 0.5^{\circ}$

Pitch and Roll readings, provided to  $0.2^{\circ}$  accuracy

Non-block pressure port

Robust and long lasting

### Applications

ROV & AUV Depth Sensor

Echosounder Surveys

Pipeline Surveys

Real Time Depth

Temperature Measurement

Motion Reference

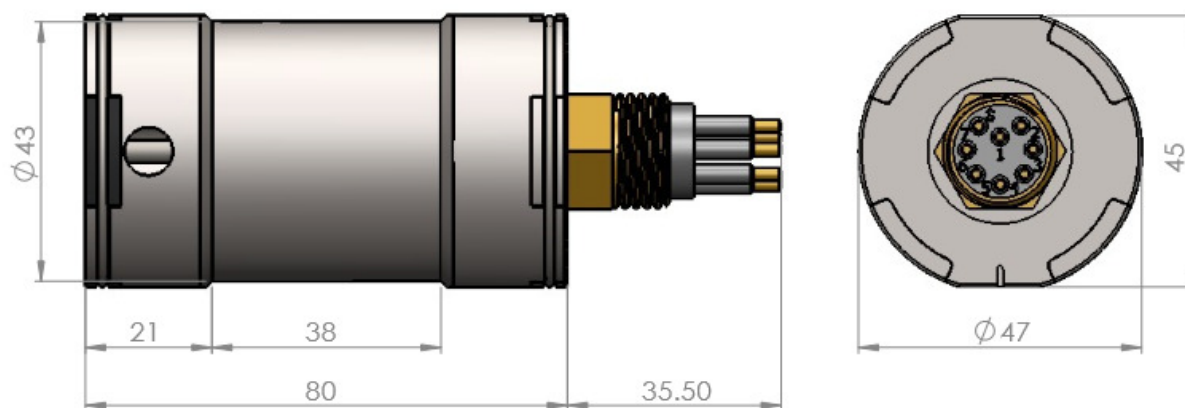
Asset Deployment

[www.impactsubsea.com](http://www.impactsubsea.com)

# ImpactSubsea

Innovative Underwater Products

## ISD4000 – Depth & Temperature Sensor



Shown above is the standard configuration of the **ISD4000** Depth and Temperature sensor. Other housing and connector options are available. All dimensions are in mm.

Depth	
<i>Accuracy</i>	± 0.01% Full Scale
<i>Resolution</i>	0.001% Full Scale
<i>Range</i>	10, 30, 50, 100, 300 or 400 Bar
<i>Type</i>	Temperature Compensated Piezo-Resistive
Communications & Power	
<i>Digital</i>	RS232 & RS485
<i>Protocol</i>	300 to 115200 baud
<i>Data</i>	Continuous or on demand
<i>Data Rate</i>	Up to 20Hz
<i>Input Voltage</i>	7 to 32V DC
<i>Power</i>	<30mA @ 24V DC
Heading*	
<i>Accuracy</i>	± 0.5°
<i>Resolution</i>	0.1°

Pitch & Roll*	
<i>Pitch</i>	± 90°
<i>Roll</i>	± 180°
<i>Accuracy</i>	0.2° RMS
<i>Resolution</i>	0.1°
Temperature	
<i>Accuracy</i>	0.01 °C
<i>Resolution</i>	0.001 °C
Physical	
<i>Weight</i>	0.42kg in air, 0.28kg in fresh water
<i>Depth Rating</i>	4,000m (Titanium Housing)
<i>Temperature</i>	-5 to 25° operating -20 to 50° storage
<i>Connector</i>	Subconn MCBH8M-SS other options available

Specifications subject to change in line with product enhancements. Rev 1.2. \* Option

[sales@impactsubsea.co.uk](mailto:sales@impactsubsea.co.uk)  
**+44(0)1224 460 850**  
[www.impactsubsea.com](http://www.impactsubsea.com)